

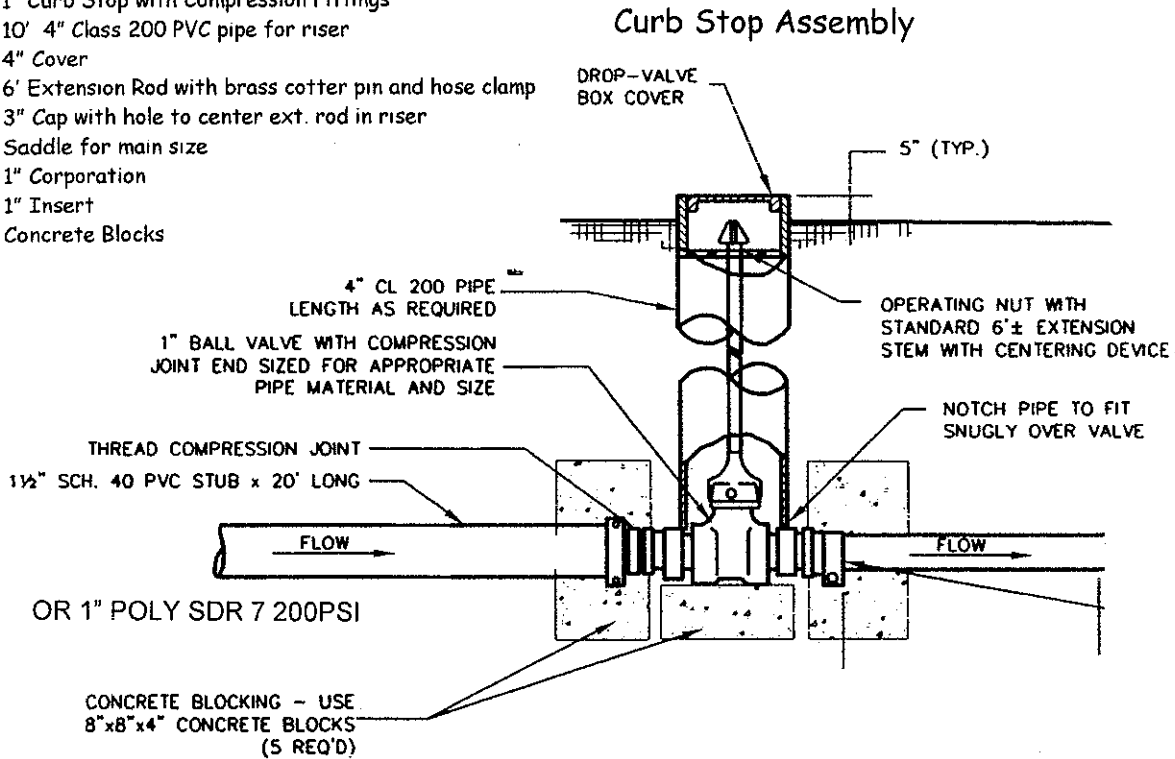
# GREATER RAMSEY WATER DISTRICT

## Curb Stop and Parts Supplied by GRWD

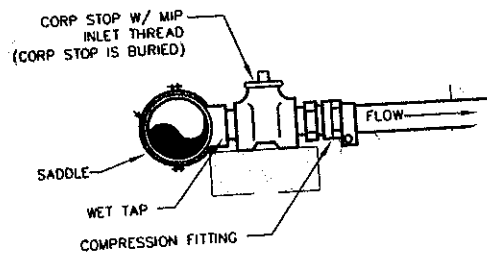
### For Standard User

Parts list for Standard User

1. 1" Curb Stop with Compression Fittings
2. 10' 4" Class 200 PVC pipe for riser
3. 4" Cover
4. 6' Extension Rod with brass cotter pin and hose clamp
5. 3" Cap with hole to center ext. rod in riser
6. Saddle for main size
7. 1" Corporation
8. 1" Insert
9. Concrete Blocks



### Saddle and Corp Assembly



GRWD will provide each member a curb stop assembly, properly sized saddle and 1" corp.

GRWD will perform a wet tap on the main.

The installation of the service line from GRWD main pipe to the curb stop must be installed by an approved contractor. See list of approved contractors on web page or call the office for more information.

All 1" service line must be 1 HDPE 3408 SDR 7 with a pressure rating of 200 psi. All pvc pipe rating shall be determined prior to installation according to the existing main rating or as directed by GRWD.

The service line must be buried to a depth of 8 feet. This must be maintained even when crossing ditches or other low areas. A pack joint coupler for pe pipe is recommended by GRWD when connecting poly pipe together. GRWD is responsible for the curb stop and service line from the main. The member is responsible for the service line from the curb stop to the meter and beyond.